

access

L I G H T I N G

INSTALLATION INSTRUCTIONS

IMPORTANT

Before assembling your access lighting fixture, please make sure that you carefully read through these instruction sheets. Consider having your fixture installed by a qualified licensed electrician.

NOTE: The important safeguards and instructions that appear in this manual are not meant to cover all possible conditions and situations that may occur. It must be understood that common sense, caution and care, are factors that can't be built into any product. These factors must be supplied by the person(s) caring for and operating the fixture.

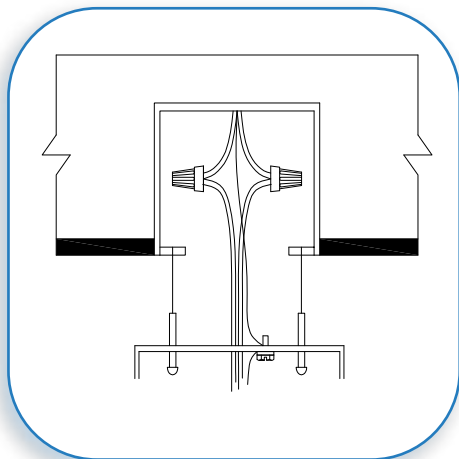


GENERAL INFORMATION

All electrical connections must be in accordance with all ordinances, Local and National Electrical Codes. These fixtures are intended for mounting to a standard 4" x 2 1/2" metal octagon outlet box. The box must be directly supported by the building structure and U.L. Recognized.

STEP BY STEP INSTRUCTIONS

Before starting your installation disconnect the Power by turning off the Circuit Breaker or by removing the fuse at the fuse box. Just turning the light off at the light switch is not sufficient to prevent electrical shock.



COLLECTION
CHUKI

APPLICATION
Pendant

MODEL NO.
23436
23437

WHAT WE PROVIDE

- Mounting Hardware
- Crossbar Plate
- Glass shade

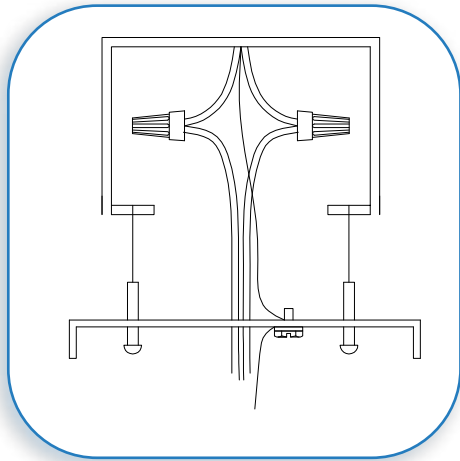
WHAT YOU NEED

- Screwdriver
- Wire Cutters
- Wiring Supplies as Specified by Electrical Code
- 1 x 60W E26 G-40

1

PREPARE FIXTURE AND MOUNT THE CROSSBAR

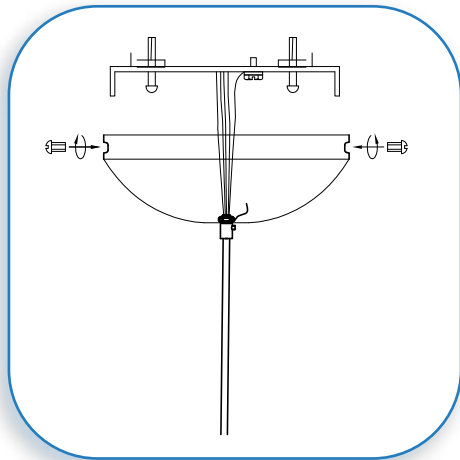
If there is an existing fixture remove it.
Expose the supply wire from the outlet box.
Mount the crossbar to the junction box with the supplied screws



2

MAKE WIRE CONNECTIONS

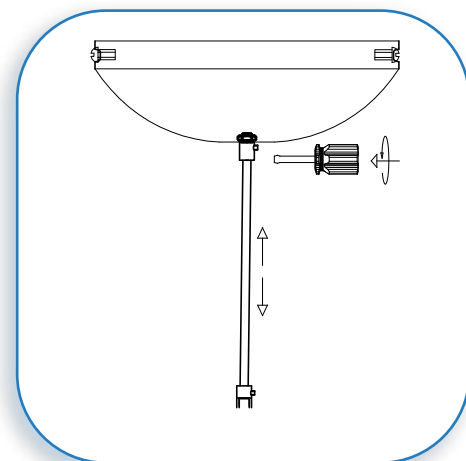
Gently pull the supply wires through the hole in the crossbar. Connect the black supply wire to the black fixture wire. Secure with the supplied wire nuts. Connect the white supply wires to the white fixture wire. Secure with the supplied wire nuts. Either wrap the green wire around one of the protruding screws or connect it to the supply ground wire. Secure all wire with electrical tape (not supplied). Tuck all wires carefully into the J-Box.



3

MOUNT FIXTURE TO THE CROSSBAR PLATE

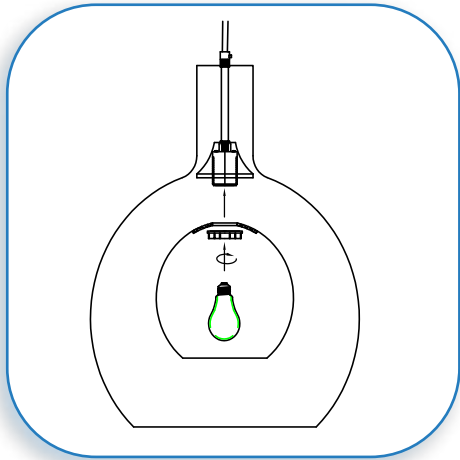
Position the canopy over the crossbar plate. Align the holes in the side of canopy and secure with the supplied screws.



4

SECURE THE STRAIN RELIEF

Adjust the length of fixture and secure with the supplied strain relief screw.



5

**SECURE THE GLASS SHADE AND
INSERT THE BULB**

Hold the glass shade up to the socket and secure with supplied socket ring.

Insert the bulb. **MAXIMUM WATTAGE 60W.**

**DO NOT EXCEED THE WATTAGE AS STATED
ON THE WARNING LABEL AND IN THE INSTRUCTION
SHEETS**



6

**RESTORE THE ELECTRICITY AND
CHECK THE OPERATION OF YOUR
NEW ACCESS FIXTURE**

