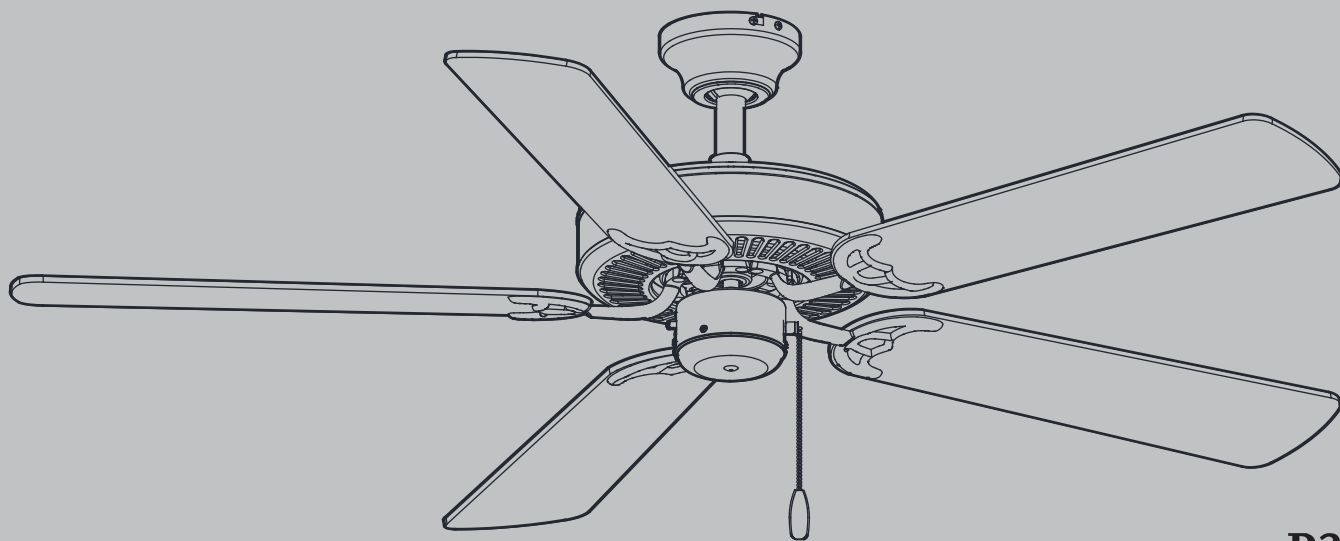




Ceiling Fan Installation Manual



93095408_B

P2501

30-Year Limited Warranty

Progress Lighting fan motors are warranted to the END USER to be free of electrical and/or mechanical defects for a period of 30 (thirty) years from date of sale. Pull chain switches, reverse switches, capacitors and metal finishes are warranted for a period of 1 year. Warping of wooden or plastic blades is not covered by this warranty.

The END USER has the option of returning the defective fan to the place of purchase during the first 30 days for a replacement. After 30 days, the purchaser MUST contact Progress Lighting for repair or replacement. The END USER also bears the responsibility for all costs in the removal, shipping and reinstallation of fans or parts for repair or replacement.

Progress Lighting will not assume liability or responsibility for damages (including incidental or consequential) caused by improper installation or operation of the unit or its component parts, or by the failure of supporting hardware not supplied by Progress Lighting. This warranty is given in lieu of all other guarantees, whether expressed or implied, and is voided in cases of abuse, misuse or improper handling, negligence, shipping damage, unauthorized repairs (made or attempted) or unusual application.

Some states do not allow limitations on how long an implied warranty lasts or the exclusion or limitations of incidental or consequential damages, so the above limitations and exclusions may not apply to you. This warranty gives you specific rights and you may have other rights which vary from state to state.

Date Purchased _____

Store Purchased _____

Model No. P2501

Serial No. _____

Vendor No. 111017

UPC 785247 114498

785247 114474

785247 250110

785247 148011

785247 221721

785247 221714



Safety Rules	1
Unpacking Your Fan	2
Installing Your Fan	3
Operating Your Fan	8
Care of Your Fan	9
Troubleshooting	9
Specifications	10

Table of Contents

READ AND SAVE THESE INSTRUCTIONS

1. To reduce the risk of electric shock, insure electricity has been turned off at the circuit breaker or fuse box before beginning.
2. All wiring must be in accordance with the National Electrical Code ANSI/NFPA 70-1999 and local electrical codes. Electrical installation should be performed by a qualified licensed electrician.
3. **CAUTION:** To reduce the risk of personal injury, use only the screws provided with the electrical box.
4. The outlet box and support structure must be securely mounted and capable of reliably supporting 35 lbs. (15.9 kg). Use only UL Listed outlet boxes marked “Acceptable for Fan Support of 35 lbs. (15.9 kg) or less.”
5. The fan must be mounted with a **minimum of 7 feet clearance** from the trailing edge of the blades to the floor.
6. Do not operate reversing switch while fan blades are in motion. Fan must be turned off and blades stopped before reversing blade direction.
7. Avoid placing objects in path of the blades.
8. To avoid personal injury or damage to the fan and other items, be cautious when working around or cleaning the fan.
9. Do not use water or detergents when cleaning the fan or fan blades. A dry dust cloth or lightly dampened cloth will be suitable for most cleaning.
10. After making electrical connections, spliced conductors should be turned upward and pushed carefully up into electrical box. The wires should be spread apart with the grounded conductor and the equipment-grounding conductor on one side of the electrical box and ungrounded conductor on the other side of the electrical box.
11. Electrical diagrams are for reference only. Light kits that are not packed with the fan must be UL Listed and marked suitable for use with the model fan you are installing. Switches must be UL General Use Switches. Refer to the instructions packaged with the light kits and switches for proper assembly.
12. All set screws must be checked and retightened where necessary before installation.

WARNING

TO REDUCE THE RISK OF FIRE, ELECTRIC SHOCK OR PERSONAL INJURY, MOUNT TO OUTLET BOX MARKED “ACCEPTABLE FOR FAN SUPPORT OF 35LBS. (15.9 KG) OR LESS”, AND USE SCREWS PROVIDED WITH THE OUTLET BOX.

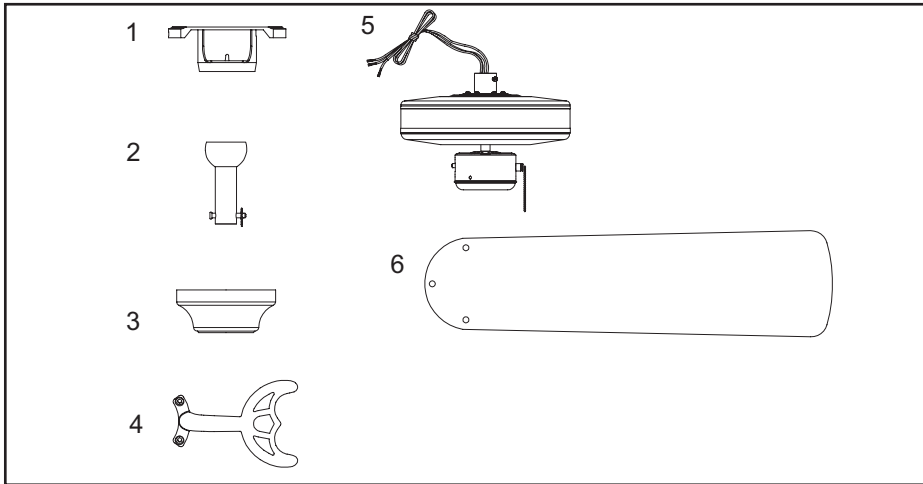
WARNING

TO REDUCE THE RISK OF PERSONAL INJURY, DO NOT BEND THE BLADE BRACKETS (ALSO REFERRED TO AS (“FLANGES”)) DURING ASSEMBLY OR AFTER INSTALLATION. DO NOT INSERT OBJECTS IN THE PATH OF THE BLADES.

WARNING

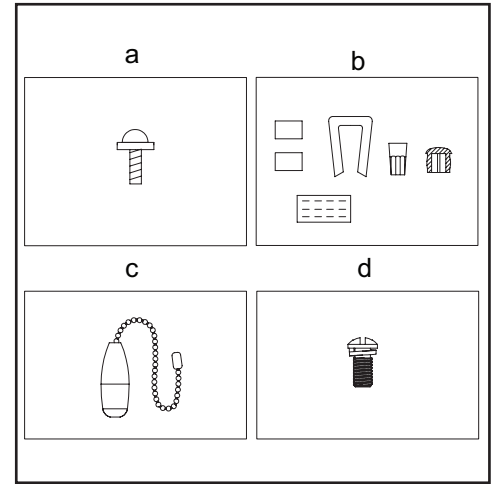
TO REDUCE THE RISK OF SHOCK, THIS FAN MUST BE INSTALLED WITH AN ISOLATION CONTROL/SWITCH.

1. Safety Rules



Unpack your fan and check the contents. You should have the following items:

- | | |
|--|-----------------------|
| 1. Mounting Bracket (inside canopy) | 5. Fan Motor Assembly |
| 2. 4.25" Ball/Downrod Assembly (hanger pin and locking pin pre-attached) | 6. Blades (5) |
| 3. Canopy | |
| 4. Blade Arms (5) | |



- | |
|---|
| a. Mounting hardware
(blade attachment screw) |
| b. Electrical hardware & Balancing kit
(3 plastic wire connectors, blade balancing kit, plastic plug) |
| c. Pull chain |
| d. Extra blade bracket screw |

2. Unpacking Your Fan

Tools Required

Phillips screw driver or straight slotted screw driver, adjustable wrench, step ladder, and wire cutters.



Mounting Options

If there isn't an existing electrical box, then read the following instructions. **Disconnect the power by removing fuses or turning off circuit breakers.**

Secure the electrical box directly to the building structure. Use appropriate fasteners and building materials. The electrical box and its support must be able to fully support the moving weight of the fan (at least 35 lbs.). **Do not use plastic electrical boxes.**

WARNING

TO REDUCE THE RISK OF FIRE, ELECTRIC SHOCK OR PERSONAL INJURY, MOUNT TO OUTLET BOX MARKED "ACCEPTABLE FOR FAN SUPPORT OF 35LBS. (15.9 KG) OR LESS", AND USE SCREWS PROVIDED WITH THE OUTLET BOX. ELECTRICAL BOXES COMMONLY USED FOR THE SUPPORT OF LIGHTING FIXTURES MAY NOT BE ACCEPTABLE FOR FAN SUPPORT AND MAY NEED TO BE REPLACED. CONSULT A QUALIFIED ELECTRICIAN IF IN DOUBT.

Figures 1, 2, and 3 are examples of different ways to mount the electrical box.

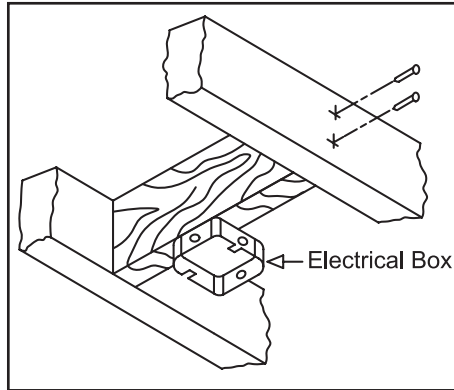


Figure 1

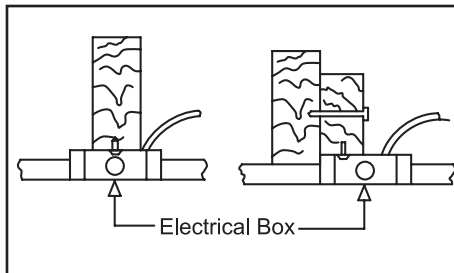


Figure 2

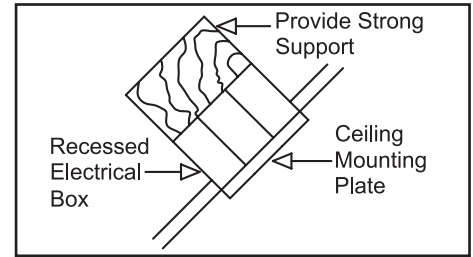


Figure 3

Note: You may need a longer downrod to maintain proper blade clearance when installing on a steep, sloped ceiling. **The maximum angle allowable is 30°.** If the canopy touches downrod, remove the decorative canopy bottom cover and turn the canopy 180° before attaching the canopy to the mounting bracket.

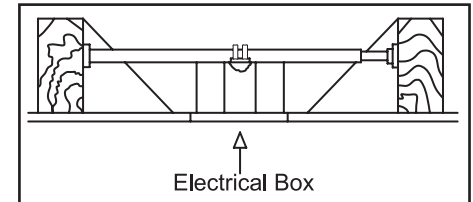


Figure 4

To hang your fan where there is an existing fixture but no ceiling joist, you may need an installation hanger bar as shown in Figure 4.

3. Installing Your Fan

Hanging the Fan

REMEMBER to turn off the power. Follow the steps below to hang your fan properly.

NOTE: This fan is recommended for standard ceiling mount using the downrod provided with this fan. When using standard ceiling installation with the 4.25 inch downrod provided, the distance from the ceiling to the bottom of the fan blades will be approximately 12 inches.

Standard Ceiling Mounting

1. Remove the mounting bracket from the canopy by loosening the four screws on the top of the canopy. Remove the two non-slotted screws and loosen the slotted screws. This will enable you to remove the mounting bracket. (Figure 5)
2. Remove the hanger pin and locking pin from downrod assembly.
3. Make sure the slot openings are on top. Route the wires through the canopy and then through the ball/downrod assembly. (Figure 6)
4. Loosen, but do not remove, the set screws on the collar on the top of the motor housing.

5. Align the holes at the bottom of the downrod with the holes in the collar on top of the motor housing. (Figure 6)
Carefully insert the hanger pin through the holes in the collar and downrod. Be careful not to jam the hanger pin against the wiring inside the downrod. Insert the locking pin through the hole near the end of the bolt until it snaps into its locked position, as noted in the circle inset of Figure 6.
6. Re-tighten the set screws on the collar on top of the motor housing.
7. Make sure that the canopy is oriented correctly.
8. Proceed to “Installing the Fan” section.

WARNING

FAILURE TO PROPERLY INSTALL SET SCREWS AS NOTED IN STEP * COULD RESULT IN FAN LOOSENING AND POSSIBLY FALLING.

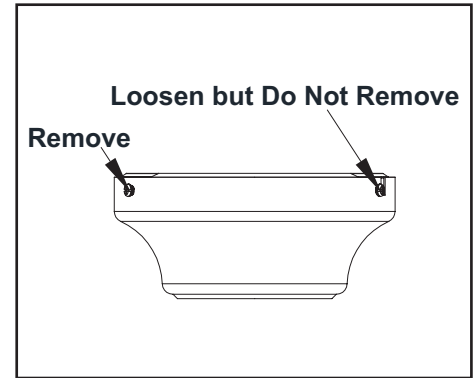


Figure 5

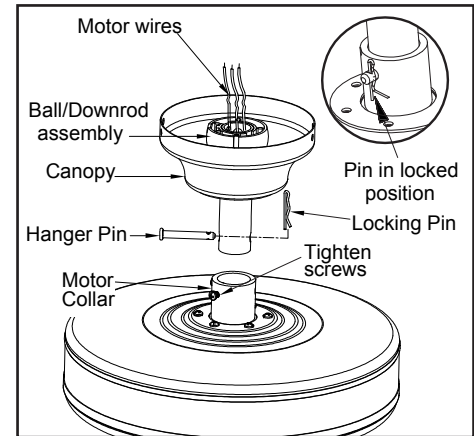


Figure 6

Installing Fan to the Electrical Box

CAUTION

WHEN MOUNTING THE FAN ON A SLOPED CEILING, THE STANDARD BALL/DOWNROD MOUNTING METHOD MUST BE USED. THE MOUNTING BRACKET MUST BE MOUNTED SO THAT THE SLOT OPENINGS ARE ON THE LOWER SIDE BY SLIDING THE MOUNTING BRACKET FROM THE TOP DOWN.

1. Pass the 120-volt supply wires through the center hole in the ceiling mounting bracket as shown in Figure 7.
2. Install the ceiling mounting bracket on the electrical box by using the mounting screws provided with the electrical box. Note that the flat side of the mounting bracket is toward the electrical box. (Figure 7)
3. Tighten the two screws on the electrical box securely.
4. Carefully lift the fan assembly up to the ceiling mounting bracket. Make sure the tab on the mounting bracket is properly seated in the groove in the hanger ball. (Figure 8)

WARNING

WHEN USING THE STANDARD BALL/DOWNROD MOUNTING, THE TAB IN THE RING AT THE BOTTOM OF THE MOUNTING BRACKET MUST REST IN THE GROOVE OF THE HANGER BALL. FAILURE TO PROPERLY SEAT THE TAB IN THE GROOVE COULD CAUSE DAMAGE TO WIRING.

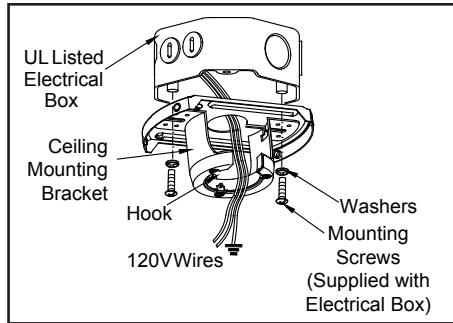


Figure 7

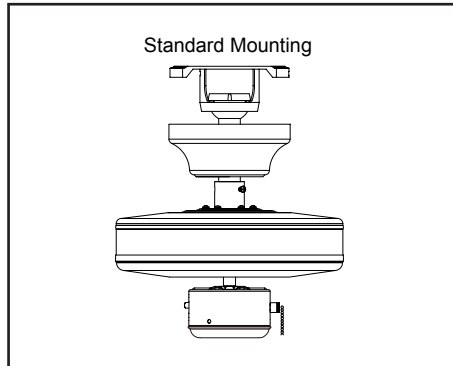


Figure 8

Making the Electrical Connections

REMEMBER to disconnect the power. If you feel you do not have enough electrical wiring knowledge or experience, have your fan installed by a licensed electrician.

Follow the steps below to connect the fan to your household wiring. Use the wire connecting nuts supplied with your fan. Secure the connectors with electrical tape. Make sure there are no loose strands or connections. (Figure 9)

1. Connect the two green fan ground wires, located on the downrod and mounting bracket, to the household ground wire.
2. Connect the neutral fan (White) wire to the white neutral household wire.
3. Connect the fan supply (black and blue) wire to the black household supply wire as shown in figure 9.
4. After connecting the wires, spread them apart so that the green and white wires are on one side of the outlet box and the black wire is on the other side.
5. Turn the wire connecting nuts upward and push the wiring into the outlet box.

NOTE

USE THE WIRE CONNECTORS SUPPLIED WITH YOUR FAN. SECURE THE CONNECTORS WITH ELECTRICAL TAPE AND ENSURE THERE ARE NO LOOSE STRANDS OR CONNECTIONS

WARNING

EACH WIRE NUT (WIRE CONNECTOR) SUPPLIED WITH THIS FAN IS DESIGNED TO ACCEPT UP TO ONE 12 GAUGE HOUSE WIRE AND TWO WIRES FROM THIS FAN. IF YOU HAVE LARGER THAN 12 GAUGE HOUSE WIRING OR MORE THAN ONE HOUSE WIRE TO CONNECT TO THE FAN WIRING, CONSULT AN ELECTRICIAN FOR THE PROPER SIZE WIRE NUTS TO USE.

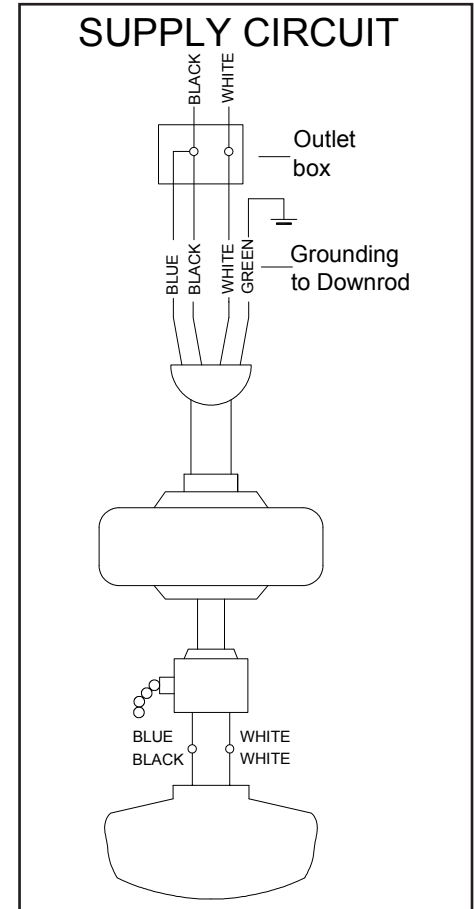


Figure 9

Finishing the Fan Installation

STANDARD CEILING MOUNTING

WARNING

WHEN USING THE STANDARD BALL/DOWNROD MOUNTING, THE TAB IN THE RING AT THE BOTTOM OF THE MOUNTING PLATE MUST REST IN THE GROOVE OF THE HANGER BALL. FAILURE TO PROPERLY SEAT THE TAB IN THE GROOVE COULD CAUSE DAMAGE TO WIRING.

1. Align the locking slots of the ceiling canopy with the two screws in the mounting bracket. Push up to engage the slots and turn clockwise to lock in place. Immediately tighten the two mounting screws firmly.
2. Install the remaining two mounting screws into the holes in the canopy and tighten firmly.
3. You may now proceed to attaching the fan blades.

Attaching the Fan Blades

NOTE: Your fan blades are reversible. Select the blade finish which best accentuates your decor.

1. Attach blade to blade bracket using screws shown in Figure 10. Please note that the rubber washers are preattached to the blade bracket. Start a screw into the bracket. Repeat for the two remaining screws.
2. Tighten each screw securely.

3. Fasten the blade assembly to the motor by inserting the alignment post into the slot of the bottom of the motor and tightening the motor screws. Please note that the motor screws are preattached into the blade brackets. (Figure 11)
4. Repeat steps 1, 2 & 3 for the remaining blades.

Blade Balancing

All blades are grouped by weight. Because natural woods vary in density, the fan may wobble even though the blades are weight matched.

The following procedure should correct most fan wobble. Check after each step.

1. Check that all blade screws are secure.
2. Most fan wobble problems are caused when blade levels are unequal. Check this level by selecting a point on the ceiling above the tip of one of the blades. Measure from a point on the center of each blade to the point on the ceiling. Measure this distance as shown in Figure 12. Rotate the fan until the next blade is positioned for measurement. Repeat for each blade. Measurements deviation should be within 1/8". Run the fan for 10 minutes.
3. Make sure that canopy is tightened securely to ceiling mounting bracket and that the ceiling mounting bracket is tightened securely to the electrical box.
4. Interchanging two adjacent blades can redistribute the weight and possibly result in the smoother operation.
5. Use the enclosed Blade Balancing Kit if the blade wobble is still noticeable.

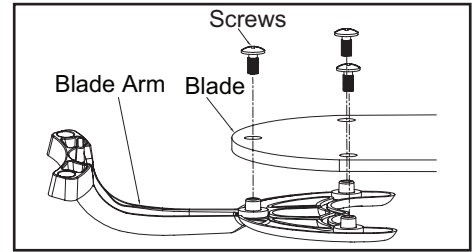


Figure 10

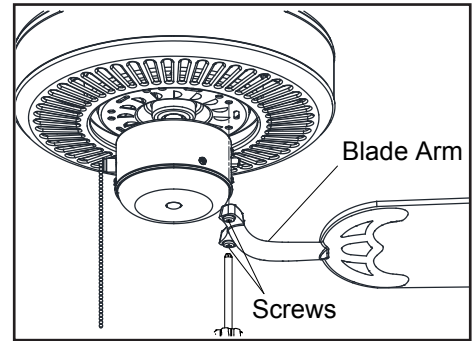


Figure 11

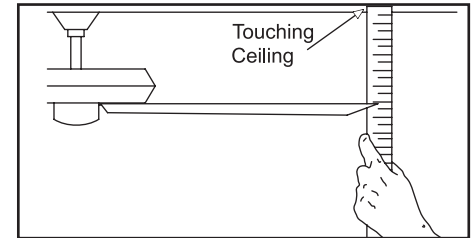


Figure 12

Install Pull Chain

Install the pull chain extension chain and fob (Figure 13).

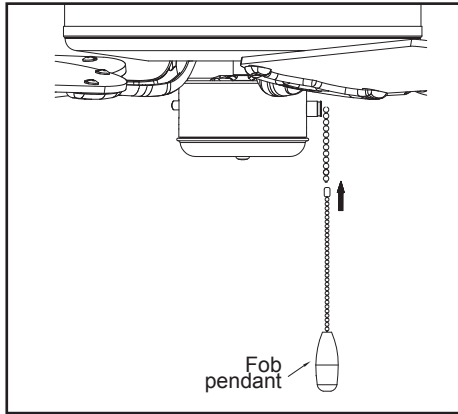


Figure 13

Speed settings for warm or cool weather depend on factors such as room size, ceiling height, number of fans, and so on.

The fan shipped from the factory with the reversing switch positioned to circulate air downward. If airflow is desired in the opposite direction, turn your fan off and wait for the blades to stop turning, then slide the reversing switch (located on the switch housing, refer to figure 6 on page 4) to opposite position, and turn fan on again. The fan blades will turn in the opposite direction and reverse airflow.

Warm weather - (Forward) A downward air flow creates a cooling effect as shown in Figure 14. This allows you to set your air conditioner on a higher setting without affecting your comfort.

Cool weather - (Reverse) An upward air flow moves warm air off the ceiling as shown in Figure 15. This allows you to set your heating unit on a lower setting without affecting your comfort.

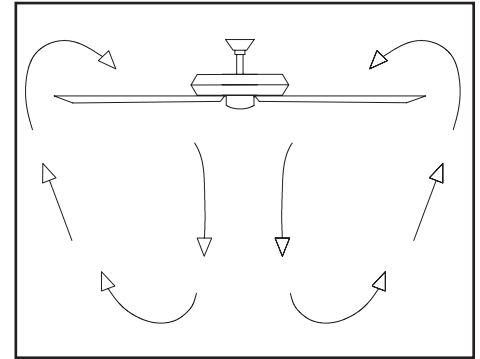


Figure 14

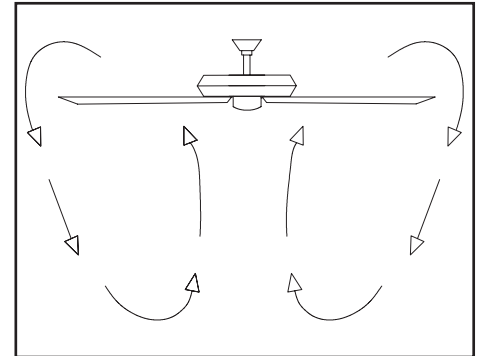


Figure 15

8. Operating Your Fan

Care of Your Fan

Here are some suggestions to help you maintain your fan.

1. Because of the fan's natural movement, some connections may become loose.
Check the support connections, brackets, and blade attachments twice a year. Make sure they are secure. **(It is not necessary to remove fan from ceiling.)**
2. Clean your fan periodically to help maintain its new appearance over the years. Do not use water when cleaning, this could damage the motor, or the wood or possibly cause an electrical shock. Use only a soft brush or lint-free cloth to avoid scratching the finish. The plating is sealed with a lacquer to minimize discoloration or tarnishing.
Warning - Make sure the power is off before cleaning your fan.
3. You can apply a light coat of furniture polish to the wood for additional protection and enhanced beauty. Cover small scratches with a light application of shoe polish.
4. **There is no need to oil your fan.**
The motor has permanently lubricated sealed ball bearings.

Troubleshooting

Problem

Solution

Fan will not start

1. Check main and branch circuit fuses or breakers
2. Check line wire connections to the fan and switch wire connections in the switch housing. **CAUTION: Make sure main power is off.**

Fan sounds noisy

1. Make sure all motor housing screws are snug.
2. Make sure the screws that attach the fan blade bracket to the motor hub are tight.
3. Make sure wire nut connections are not rattling against each other or the interior wall of the switch housing.
CAUTION: Make sure power is off.
4. Allow a 24-hour "breaking in" period. Most noises associated with a new fan disappear during this time.
5. If using the Ceiling Fan light kit, make sure the screws securing the glassware are tight. Check that the light bulb is also secure.
6. Make sure the canopy is a short distance from the ceiling.
It should not touch the ceiling.
7. Make sure your electrical box is secure and rubber isolator pads were used between the mounting bracket and electrical box.

WARNING

MAKE SURE THE POWER IS OFF AT THE ELECTRICAL PANEL BOX BEFORE YOU ATTEMPT TO MAKE ANY REPAIRS. REFER TO THE SECTION, "MAKING ELECTRICAL CONNECTIONS."

9. Care of Your Fan and Troubleshooting

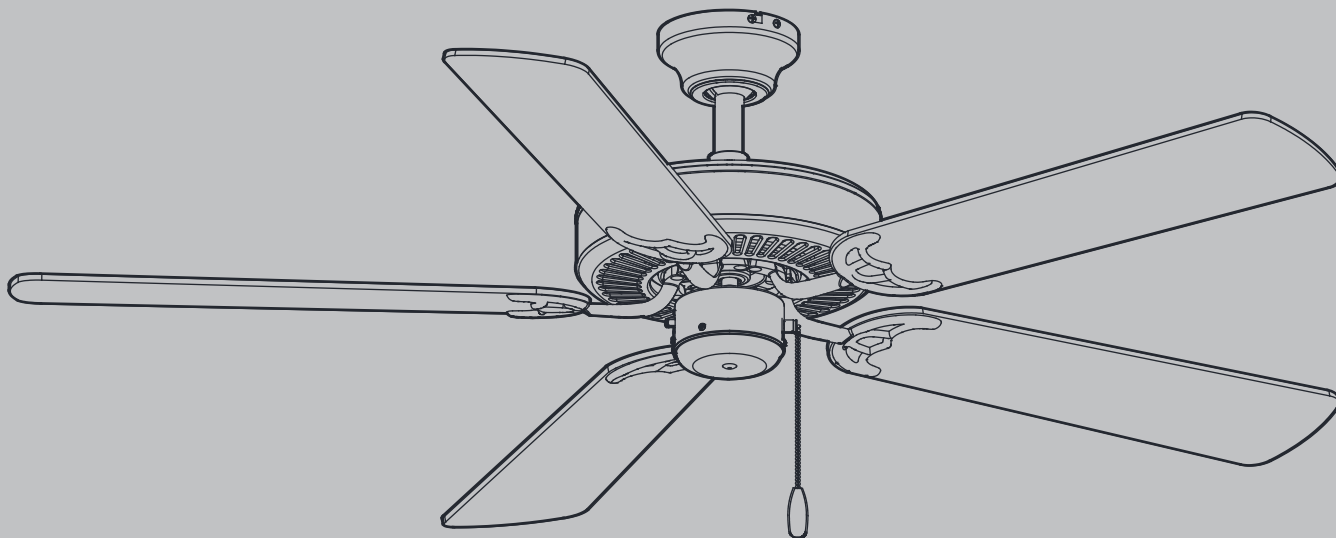
FAN SIZE	SPEED	VOLTS	FAN POWER CONSUMPTION (WITHOUT LIGHTS) WATTS	AIRFLOW CFM	AIRFLOW EFFICIENCY (HIGHER IS BETTER) CFM/WATT	NET WEIGHT	GROSS WEIGHT	CUBE FEET
52"	Low	120	13.57	2615	192.7	14.11	15.88	1.332
	High	120	62.42	4991	79.96	Lbs	Lbs	

©2016 Progress Lighting, Inc.
701 Millennium Blvd.,
Greenville, SC 29607
All Rights Reserved

10. Specifications



Manual de instalación del ventilador de techo



93095408_B

P2501

30 años de garantía limitada

Los motores de ventilador Progress Lighting están garantizados al USUARIO FINAL por treinta (30) años, a partir de la fecha de compra, de que estarán libres de defectos eléctricos o mecánicos. Los interruptores activados por cadena, interruptores de reversa, capacitores y acabados de metal tienen 1 año de garantía. No están cubiertas por esta garantía las deformaciones de las aspas de madera o plástico.

El USUARIO FINAL tiene la opción de devolver el ventilador defectuoso adonde lo compró, dentro de los 30 días siguientes a la compra, al efecto de su reposición. Pasados esos 30 días, el comprador TIENE que contactar a Progress Lighting para reparación o reposición. El USUARIO FINAL es responsable de todos los costos por desmontaje, envío y reinstalación del ventilador, así como de las partes y piezas a reparar o reponer.

Progress Lighting no asumirá responsabilidad alguna por daños (incluso incidentales o consecuentes) causados por instalación o manipulación inapropiadas de la unidad o sus partes y piezas componentes, ni por fallas de herrajes de soporte que no fueron suministrados por Progress Lighting. Esta garantía se concede en sustitución de todas las demás, ya sean explícitas o implícitas, y se anulará en caso de uso abusivo o aplicación inusual, mal uso o mala manipulación, negligencia, daños en el envío y reparaciones no autorizadas (consumadas o intentadas).

Algunos estados no permiten limitaciones en la duración de una garantía implícita ni exclusión ni limitaciones de daños incidentales o consecuentes, así que las exclusiones o limitaciones referidas más arriba pudieran no aplicarse a su caso. Esta garantía otorga derechos específicos y es posible que usted tenga otros, que varían de estado a estado.

Fecha de compra _____

Tienda de compra _____

Modelo UL # P2501

Número de serie _____

Proveedor # 111017

UPC 785247 114498

785247 114474

785247 250110

785247 148011

785247 221721

785247 221714



Normas de seguridad	1
Cómo desempacar el ventilador	2
Cómo instalar el ventilador	3
Cómo usar el ventilador	8
Cuidado del ventilador	9
Solución de problemas	9
Especificaciones	10

Tabla de contenido

LEE Y GUARDA ESTAS INSTRUCCIONES

1. Para disminuir el riesgo de descarga eléctrica, antes de comenzar la instalación asegúrate de que la electricidad ha sido desconectada en el cortacircuitos o en la caja de fusibles.
2. Todo el cableado tiene que cumplir con el Código Nacional de Electricidad ANSI/NFPA 70-1999 y con los códigos locales de electricidad. La instalación eléctrica debe hacerse por un electricista calificado con licencia.
3. **PRECAUCIÓN:** Para reducir el riesgo de lesiones físicas, usa sólo los tornillos suministrados con la caja de distribución.
4. La caja eléctrica y estructura de soporte tienen que montarse de forma segura para poder sostener con confianza 35 lb (15.9 kg). Usa solo cajas eléctricas aprobadas por UL y marcadas como “apropiadas para sostener ventiladores de 35 lb (15.9 kg) o menos.”
5. El ventilador tiene que montarse con **al menos con 7 pies (2.13 m) de separación** entre el borde trasero de las aspas y el piso.
6. No operar el interruptor de reversa mientras las aspas del ventilador estén en movimiento. El ventilador tiene que estar apagado y las aspas detenidas antes de invertir el sentido del movimiento.
7. Evita colocar objetos en la trayectoria de las aspas.
8. Para evitar lesiones personales o daños al ventilador y otros artículos, ten cuidado al limpiarlo o al trabajar cerca de él.
9. No usar agua ni detergentes para limpiar el ventilador o las aspas. Para limpiar, casi siempre será adecuado un paño seco o ligeramente humedecido con que quitar el polvo.
10. Después de concluir con las conexiones eléctricas, debes voltear los conductores empalmados hacia arriba y empujarlos con cuidado hacia dentro de la caja de distribución. Los cables deben estar separados, con el cable y el conductor a tierra del equipo hacia uno de los lados de la caja eléctrica y el conductor sin conexión a tierra hacia el lado opuesto.
11. Los diagramas eléctricos son sólo para referencia. Los kits de luces no empaquetados con el ventilador tienen que estar aprobados por UL y marcados como apropiados para usar con el modelo de ventilador que estás instalando. Los interruptores tienen que estar clasificados de uso general por UL. Para ensamblar bien hay que consultar las instrucciones adjuntas a los kits de luces e interruptores.
12. Antes de la instalación, todos los tornillos de fijación tienen que comprobarse y reajustarse donde sea necesario.

ADVERTENCIA

PARA REDUCIR EL RIESGO DE INCENDIO, DESCARGA ELÉCTRICA U OTRAS LESIONES, INSTALA SÓLO EN UNA CAJA ELÉCTRICA CLASIFICADA COMO “APROPIADA PARA SOSTENER VENTILADORES DE 35 LB (15.9 KG), (15.6 KG) O MENOS”, Y USA SÓLO LOS TORNILLOS INCLUIDOS CON LA CAJA ELÉCTRICA.

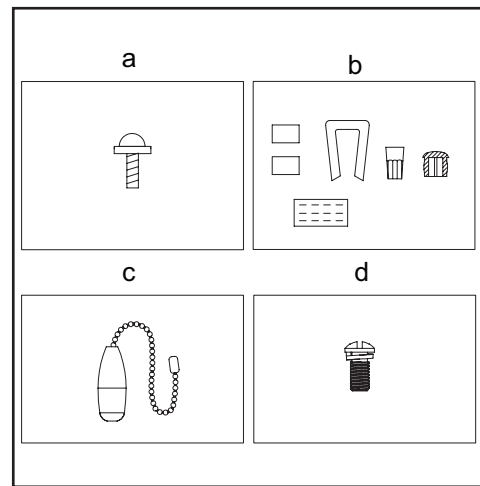
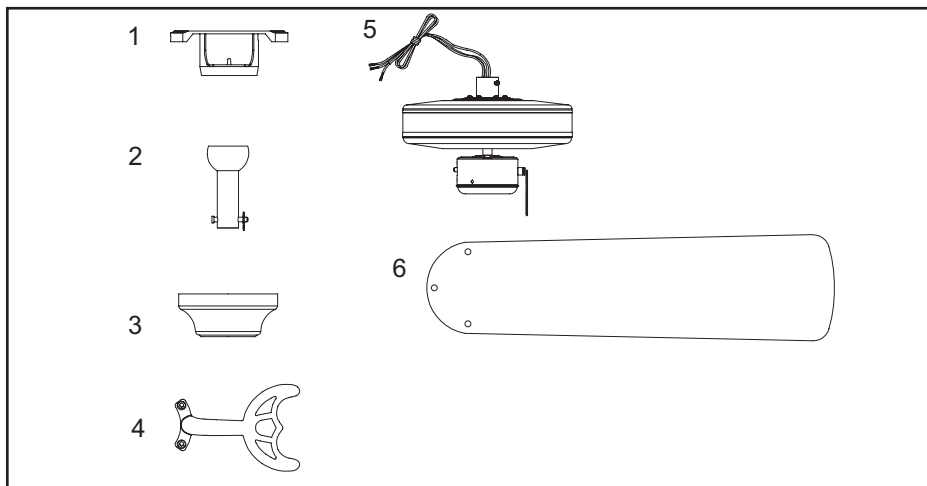
ADVERTENCIA

PARA REDUCIR EL RIESGO DE LESIONES, NO DOBLES LOS BRAZOS DE LAS ASPAS (TAMBIÉN LLAMADOS “REBORDES”) DURANTE NI DESPUÉS DE LA INSTALACIÓN. NO COLOCAR OBJETOS EN LA TRAYECTORIA DE LAS ASPAS.

ADVERTENCIA

PARA REDUCIR EL RIESGO DE DESCARGA ELÉCTRICA, ESTE VENTILADOR TIENE QUE INSTALARSE CON UN CONTROL/ INTERRUPTOR DE AISLAMIENTO.

1. Normas de seguridad



Desempaca tu ventilador y revisa el contenido. Debes tener los siguientes artículos:

1. Soporte de montaje (dentro de la cubierta)
2. Conjunto de tubo bajante/esfera de 4.25" (10.8 cm) (con pasadores de soporte y de cierre prefijados)
3. Cubierta
4. Brazos de aspas (5)
5. Conjunto motor-ventilador
6. Aspas (5)

- a. **Herrajes para montaje**
(tornillos para el montaje de aspas)
- b. **Accesorios eléctricos y kit de compensación** (3 conectores plásticos de cables, kit de compensación de aspas, tapón plástico)
- c. **Interruptor de cadena**
- d. **Tornillo adicional para soporte de aspas**

2. Cómo desempacar el ventilador

Herramientas necesarias

Destornillador Phillips o de punta plana, llave ajustable, escalera de tijera y cortacables.



Opciones de montaje

Si no hay una caja eléctrica presente, lee las siguientes instrucciones. **Desconecta la energía retirando los fusibles o apagando los cortacircuitos.**

Asegura la caja eléctrica directamente a la estructura de la edificación. Usa sujetadores y materiales de construcción apropiados. La caja eléctrica y su soporte tienen que poder sostener todo el peso en movimiento del ventilador (al menos 35 lb = 15.9 kg).

No uses cajas eléctricas de plástico.

ADVERTENCIA

PARA REDUCIR EL RIESGO DE INCENDIO, DESCARGA ELÉCTRICA U OTRAS LESIONES, INSTALA SÓLO EN UNA CAJA ELÉCTRICA CLASIFICADA COMO "APROPIADA PARA SOSTENER VENTILADORES DE 35 LB (15.9 KG). (15.6 KG) O MENOS", Y USA SÓLO LOS TORNILLOS INCLUIDOS CON LA CAJA ELÉCTRICA. LAS CAJAS ELÉCTRICAS UTILIZADAS COMÚNMENTE PARA SOPORTE DE ARTÍCULOS DE ILUMINACIÓN PUDIERAN NO SERVIR COMO SOPORTE DE VENTILADOR Y TAL VEZ DEBAN REEMPLAZARSE. EN CASO DE DUDA, CONSULTA A UN ELECTRICISTA CALIFICADO.

Las figuras 1, 2 y 3 ejemplifican diferentes maneras de montar la caja eléctrica.

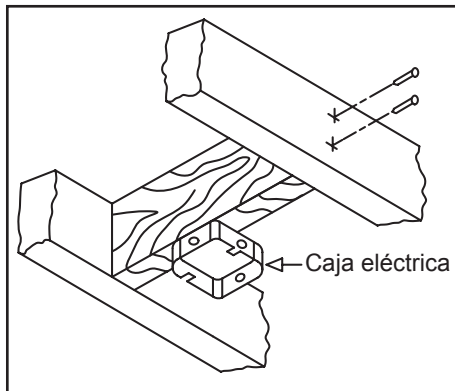


Figura 1

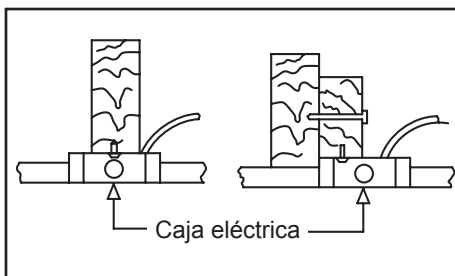


Figura 2

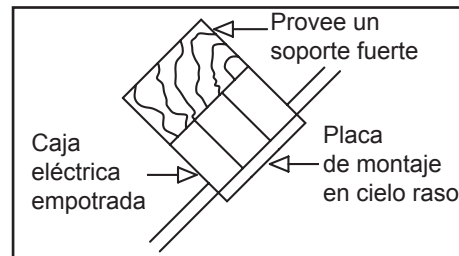


Figura 3

Nota: Tal vez necesites un tubo bajante más largo para mantener la altura mínima adecuada de las aspas, al instalar el ventilador en un techo inclinado. **El ángulo máximo permitido es 30°.** Si la cubierta toca el tubo bajante, **retira la cubierta decorativa inferior y gira la cubierta 180° antes de fijarla al soporte de montaje.**

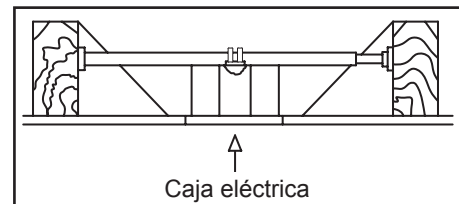


Figura 4

Para colgar el ventilador donde haya una lámpara, pero ninguna viga de techo, tal vez necesites una barra colgante como se muestra en la Figura 4.

3. Cómo instalar el ventilador

Cómo colgar el ventilador

RECUERDA cortar el suministro de electricidad. Sigue los pasos más abajo para colgar correctamente tu ventilador.

NOTA: Se recomienda instalar este ventilador en techo interior estándar usando el tubo bajante incluido. Cuando uses una instalación de techo estándar con el tubo bajante de 4.25 pulgadas (10.8 cm) suministrado, la distancia desde el techo a la parte inferior de las aspas será de unas 12 pulgadas (30.48 cm).

MONTAJE ESTÁNDAR EN CIELO RASO

1. Retira el soporte de montaje de la cubierta aflojando los cuatro tornillos en la parte superior de ella. Quita los dos tornillos sin ranura y afloja los tornillos ranurados. Esto te permitirá retirar el soporte de montaje (Figura 5)
2. Retira los pasadores de soporte y de cierre en el conjunto del tubo bajante.
3. Asegúrate de que las ranuras queden en la parte superior. Inserta los cables a través de la cubierta y enseguida a través del conjunto del tubo bajante y esfera. (Figura 6)
4. Afloja, sin quitarlos, los tornillos de fijación en el collarín de la parte superior de la carcasa de motor.

5. Alinea los orificios en la parte inferior del tubo bajante con aquellos del collarín en la parte superior de la carcasa de motor. (Figura 6) Inserta con cuidado el pasador de soporte a través de los orificios del collarín y del tubo bajante. Ten cuidado de no apretar contra el cableado dentro del tubo bajante. Inserta el pasador de cierre en el orificio cercano al extremo del perno hasta que encaje en su posición, como se muestra en el círculo de la Figura 6.
6. Vuelve a apretar los tornillos del collarín en la parte superior de la carcasa del motor.
7. Asegúrate de que la cubierta tenga la orientación apropiada.
8. Pasa a la sección "Cómo instalar el ventilador".

ADVERTENCIA

SI NO INSTALAS BIEN LOS TORNILLOS DE FIJACIÓN, COMO SE INDICA EN EL PASO 6, PUEDEN AFLOJARSE Y POSIBLEMENTE SE CAERÁ EL VENTILADOR.

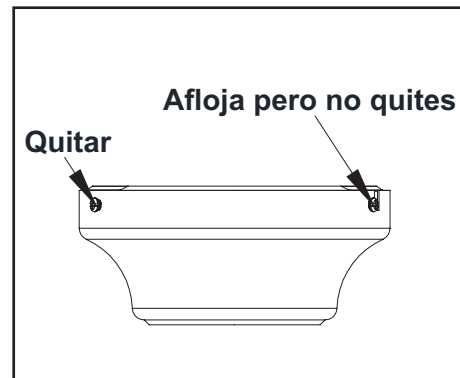


Figura 5

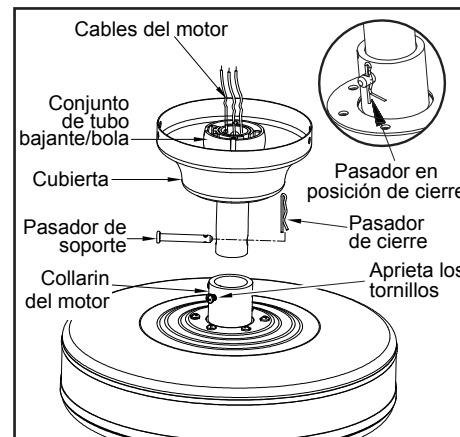


Figura 6

Cómo instalar el ventilador en la caja eléctrica

PRECAUCIÓN

CUANDO MONTES EL VENTILADOR EN UN TECHO INCLINADO, DEBES USAR EL MÉTODO DE MONTAJE CON TUBO BAJANTE-ESFERA ESTÁNDAR. EL SOPORTE DE MONTAJE TIENE QUE INSTALARSE DE MANERA TAL QUE LAS ABERTURAS DE RANURA QUEDEN EN EL LADO INFERIOR, DESLIZANDO EL SOPORTE DE MONTAJE DE ARRIBA ABAJO.

1. Pasa los cables de suministro de 120 voltios a través del orificio central en el soporte de montaje de techo como lo muestra la Figura 7.
2. Instala el soporte de montaje de techo sobre la caja eléctrica, usando los tornillos de montaje incluidos con ella. Nota que el lado plano del soporte de montaje está hacia la caja eléctrica. (Figura 7)
3. Aprieta bien los dos tornillos en la caja eléctrica.
4. Con cuidado alza el conjunto del ventilador hasta el soporte de montaje en el techo. Asegúrate de que la pestaña en el soporte de montaje esté bien asentada dentro de la ranura de la bola de soporte. (Figura 8)

ADVERTENCIA

EN EL MONTAJE ESTÁNDAR DE TUBO BAJANTE-ESFERA, LA PESTAÑA EN EL ARO DE LA PARTE INFERIOR DEL SOPORTE DE MONTAJE TIENE QUE ENCAJAR EN LA RANURA DE LA BOLA DE SOPORTE. NO ENCAJAR BIEN LA PESTAÑA EN LA RANURA PUDIERA DAÑAR EL CABLEADO.

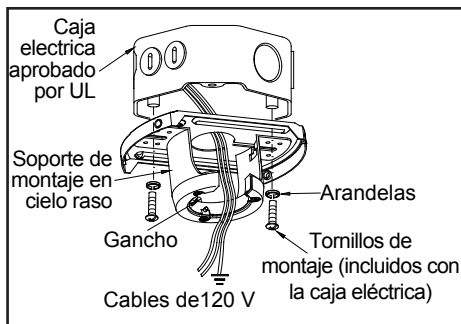


Figura 7

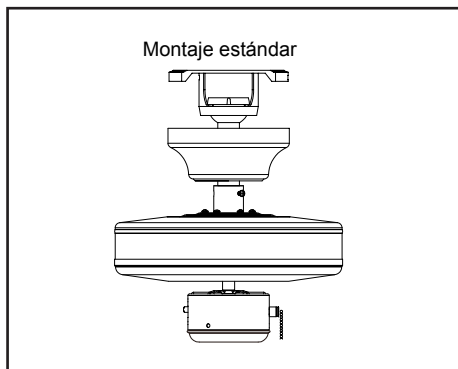


Figura 8

Cómo hacer las conexiones eléctricas

RECUERDA cortar el suministro de electricidad. Si crees que no tienes suficiente experiencia o conocimientos en cableado eléctrico, contrata a un electricista con licencia para que instale el ventilador.

Sigue estos pasos para conectar tu ventilador al circuito de tu hogar. Usa las tuercas de conexión de cables que vienen con tu ventilador. Asegura los conectores con cinta aislante. Asegúrate de que no haya conexiones ni cables sueltos. (Figura 9)

1. Conecta los dos cables verdes de conexión a tierra del ventilador, ubicados en el tubo bajante y el soporte de montaje, al cable de conexión a tierra del hogar.
2. Conecta el cable neutro (blanco) del ventilador al cable neutro blanco del circuito eléctrico del hogar.
3. Conecta el cable de alimentación (negro y azul) del ventilador al cable de suministro negro del hogar como se muestra en la Figura 9.
4. Después de conectar los cables, sepáralos de manera que los cables verde y blanco queden a un lado de la caja eléctrica y el cable negro, al otro.
5. Gira las tuercas de conexión del cable hacia arriba y coloca el cableado dentro de la caja eléctrica.

NOTA

USA LOS CONECTORES DE CABLE INCLUIDOS CON TU VENTILADOR. SUJETA LOS CONECTORES CON CINTA DE ELECTRICISTA Y ASEGURA QUE NO HAYA CONEXIONES NI CABLES SUELTOS.

ADVERTENCIA

CADA TUERCA DEL CABLE (CONECTOR DE CABLE) INCLUIDA CON ESTE VENTILADOR ESTÁ DISEÑADA PARA ACEPTAR UN CABLE DOMÉSTICO DE CALIBRE 12 COMO MÁXIMO Y DOS CABLES DEL VENTILADOR. SI TIENES UN CABLEADO DOMÉSTICO DE CALIBRE SUPERIOR A 12, O MÁS DE UN CABLE DOMÉSTICO PARA CONECTAR EL CABLEADO DEL VENTILADOR, CONSULTA A UN ELECTRICISTA PARA EL TAMAÑO ADECUADO DE TUERCAS DE CABLE.

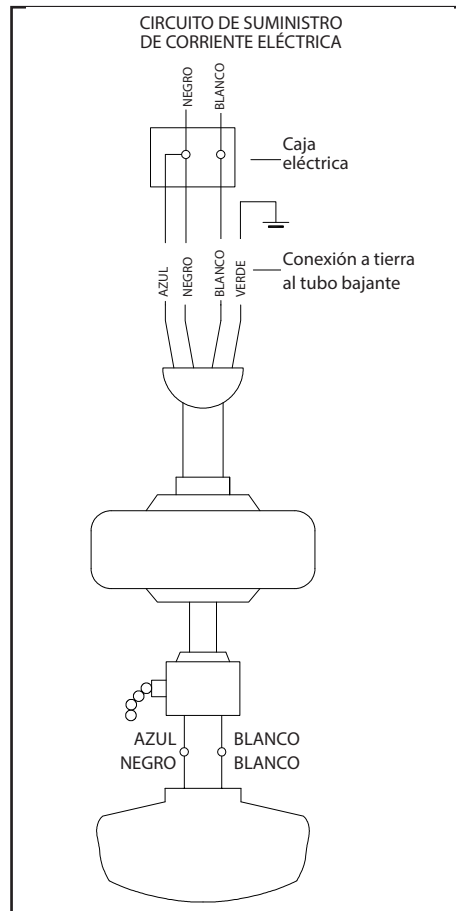


Figura 9

Cómo finalizar la instalación del ventilador

MONTAJE ESTÁNDAR EN CIELO RASO

ADVERTENCIA

EN EL MONTAJE ESTÁNDAR DE TUBO BAJANTE-ESFERA, LA PESTAÑA EN EL ARO DE LA PARTE INFERIOR DE LA PLACA DE MONTAJE TIENE QUE ENCAJAR EN LA RANURA DE LA ESFERA DE SOPORTE. SI NO ENCAJA BIEN LA PESTAÑA EN LA RANURA, PUEDE DAÑARSE EL CABLEADO.

1. Alinea las ranuras de cierre de la cubierta de techo con los dos tornillos del soporte de montaje. Empuja hacia arriba para enganchar las ranuras y gira de izquierda a derecha para asegurarlas en su sitio. Inmediatamente aprieta con firmeza los dos tornillos de montaje.
2. Instala los dos tornillos de montaje restantes en los orificios de la cubierta y aprieta firmemente.
3. Ahora puedes fijar las aspas del ventilador.

Cómo fijar las aspas del ventilador

NOTA: Las aspas de tu ventilador son reversibles. Selecciona el acabado del aspa que mejor resalte tu decoración.

1. Fija el aspa a su soporte usando los tornillos mostrados en la Figura 10. Por favor, ten en cuenta que las arandelas de goma están prefijadas en el soporte del aspa. Inserta el tornillo en el soporte. Repite para los dos tornillos restantes.
2. Aprieta firmemente todos los tornillos.

3. Ajusta el ensamblado del aspa al motor insertando el poste de alineación dentro de la ranura de la parte superior del motor y apretando los tornillos correspondientes. Por favor, ten en cuenta que los tornillos del motor están prefijados en los soportes de aspa. (Figura 11)

4. Repite los pasos 1, 2 y 3 para las aspas restantes.

Cómo equilibrar las aspas

Todas las aspas se agrupan por peso. Puesto que las maderas naturales varían en densidad, el ventilador puede oscilar aunque las aspas tengan el mismo peso.

El siguiente procedimiento corregirá en gran medida la oscilación del ventilador. Verifica después de cada paso.

1. Verifica que todos los tornillos de las aspas estén asegurados.
2. La mayoría de los problemas de oscilación del ventilador se deben a que las aspas no están al mismo nivel. Verifica este nivel seleccionando un punto en el cielo raso sobre la punta de una de las aspas. Mide esta distancia como se muestra en la Figura 12. Gira el ventilador hasta que la siguiente aspa quede en posición para medir. Repite el procedimiento para cada aspa. Las desviaciones de la medición no deben pasar de 1/8" (3.2 mm). Enciende el ventilador por 10 minutos.
3. Asegúrate de que la cubierta esté bien fijada al soporte de montaje en el techo y de que este último esté bien fijado a la caja eléctrica.
4. Intercambiar dos aspas adyacentes puede redistribuir el peso y posiblemente mejorar el funcionamiento.
5. Usa el kit de compensación de aspas adjunto si sigues notando oscilación.

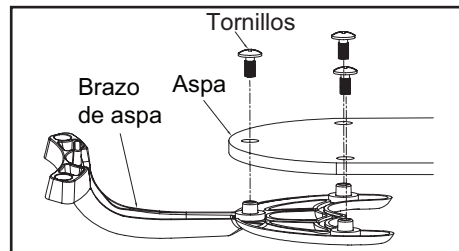


Figura 10

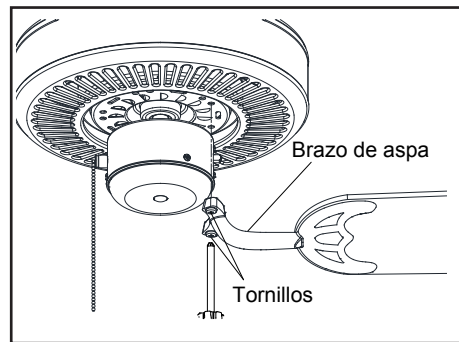


Figura 11

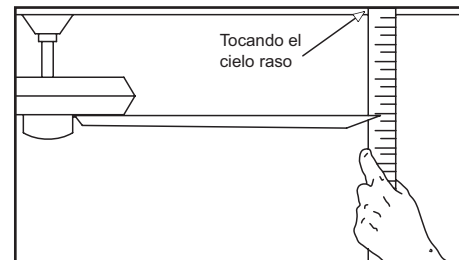


Figura 12

Instala la cadena de extensión

1. Instala las cadena de extensión y pendiente decorativo del interruptor de cadena (Figura 13).

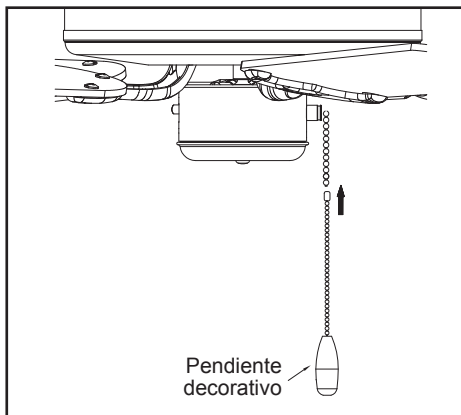


Figura 13

Las configuraciones de velocidad para clima cálido o frío dependen de factores como el tamaño de la habitación, la altura del techo, la cantidad de ventiladores y otras.

Este ventilador se envía de fábrica con el interruptor de reversa en posición de circular el aire hacia abajo. Si deseas flujo de aire en sentido contrario, apaga el ventilador y espera a que las aspas se detengan. Enseguida desliza el interruptor de reversa (ubicado sobre la carcasa del interruptor: consulta la figura 6 en la página 4) a la posición opuesta y vuelve a encender el ventilador. Las aspas del ventilador girarán en sentido contrario e invertirán el flujo del aire.

Clima cálido - (Hacia adelante) Un flujo de aire hacia abajo surte efecto refrescante, como se muestra en la Figura 14. Esto permite fijar tu aire acondicionado en configuración más alta sin afectar tu comodidad.

Clima frío - (Reversa) Un flujo de aire hacia arriba desplaza el aire cálido lejos del techo, como se muestra en la Figura 15. Esto permite fijar la unidad de calefacción en configuración más baja sin afectar tu comodidad.

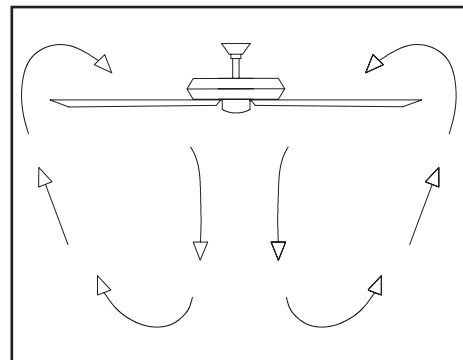


Figura 14

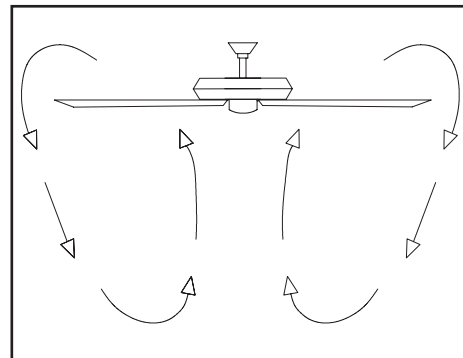


Figura 15

Cuidado del ventilador Solución de problemas

Aquí tienes algunas sugerencias para dar mantenimiento a tu ventilador.

1. Por causa del movimiento natural del ventilador, algunas conexiones pueden aflojarse. **Revisa las conexiones de soporte, los soportes y los accesorios de aspas dos veces al año.**

Comprueba que estén seguros. **(No es necesario desmontar el ventilador del techo).**

2. Limpia el ventilador con frecuencia para que luzca como nuevo al paso de los años. No uses agua al limpiar; esto puede dañar el motor o la madera e incluso provocar descargas eléctricas. Usa sólo un cepillo suave o un paño sin pelusas para evitar arañar el acabado. El revestimiento está sellado con laca para minimizar la decoloración u opacidad.

Advertencia - Asegura que la electricidad esté cortada antes de limpiar tu ventilador.

3. Puedes aplicar a la madera una fina capa de pulimento para muebles y asegurar así mayor protección y belleza superior. Cubre los arañazos pequeños con una leve aplicación de lustrador para calzado.

4. **Tu ventilador no necesita lubricación.**

El motor tiene cojinetes de bola sellados y permanentemente lubricados.

Problema

El ventilador no enciende

El ventilador hace ruido

Solución

1. Verifica los fusibles o disyuntores principales y secundarios.
2. Verifica las conexiones de cables en línea al ventilador y de cables del interruptor en la caja de interruptores. **PRECAUCIÓN: Asegúrate de que la fuente principal de electricidad esté apagada.**
1. Asegúrate de que los tornillos de la carcasa del motor estén bien ajustados.
2. Asegúrate de que los tornillos que unen el soporte de aspa al cuerpo del motor estén bien ajustados.
3. Asegúrate de que las conexiones de tuerca de cable no choquen unas con otras ni con la pared interior de la caja del interruptor. **PRECAUCIÓN: Asegúrate de que la electricidad esté cortada.**
4. Deja que pasen 24 horas como período de “adaptación”. La mayoría de los ruidos asociados a un ventilador nuevo desaparecen en ese lapso.
5. Si usas el kit de luces de ventilador de techo, asegúrate de que los tornillos que sujetan el vidrio estén bien apretados. Verifica así mismo que la bombilla esté bien fijada.
6. Asegúrate de que la cubierta esté a corta distancia del techo. No debe tocar el techo.
7. Asegúrate de que tu caja eléctrica esté bien segura y de que se hayan instalado almohadillas aislantes de goma entre el soporte de montaje y la caja de distribución.

ADVERTENCIA

ASEGÚRATE DE QUE NO HAYA CORRIENTE EN EL PANEL ELÉCTRICO ANTES DE INTENTAR HACER REPARACIONES. CONSULTA LA SECCIÓN “CÓMO HACER CONEXIONES ELÉCTRICAS”.

9. Cuidado del ventilador y solución de problemas

TAMAÑO DEL VENTILADOR	VELOCIDAD	VOLTIOS (V)	CONSUMO DE ELECTRICIDAD DEL VENTILADOR (SIN LUCES) VATIOS (W)	FLUJO DE AIRE CFM	EFICIENCIA DE FLUJO DE AIRE (MÁS ALTO ES MEJOR) CFM/W	PESO NETO	PESO BRUTO	PIES ³
52" (1.32 m)	Baja	120	13.57	2615	192.7	14.11 Lb	15.88 Lb	1.332
	Alta	120	62.42	4991	79.96			

©2016 Progress Lighting, Inc.
701 Millennium Blvd.,
Greenville, SC 29607
Todos los derechos reservados

10. Especificaciones